

General Installation Instructions for the Dairy Queen Shingles

General Guidelines

- 1) Nails or screws should be long enough to penetrate sheathing or at least 1" into solid lumber.
- 2) Use only accessories with matching finish.
- 3) Minimum pitch is 3:12
- 4) Shingles are walkable, but care should be taken to step on the upper halves of the shingle, where the panels taper to lay on the decking.

Installation Sequence

- 1) Prepare roof and apply underlayment
- 2) Install Eave Starter Strip
- 3) Install Gable Edge Trim.
- 4) Install Valleys and Flashings as needed
- 5) Install Shingles, left to right, eave to ridge, and Hip Caps

Roof Preparation

Shingles may be installed over solid sheathing, old composition shingles, or thin (3/8" butt) wood shingles. To prepare for reroofing, nail down any loose or curled shingles and protruding nails, cut off overhanging shingles, and remove any ridge or hip caps. When installing over wood shingles, cut back the shingles 4" from eaves and fill this area with new lumber. Sweep the roof clean. **Shingles may not be installed over thick wood shakes, tile, cement shakes, or metal.**

Underlayment

Cover entire roof with minimum 30 lb. felt or equivalent underlayment from left to right, eave to ridge. Allow felt to overhang eaves by 1 1/2". Lap head and end joints

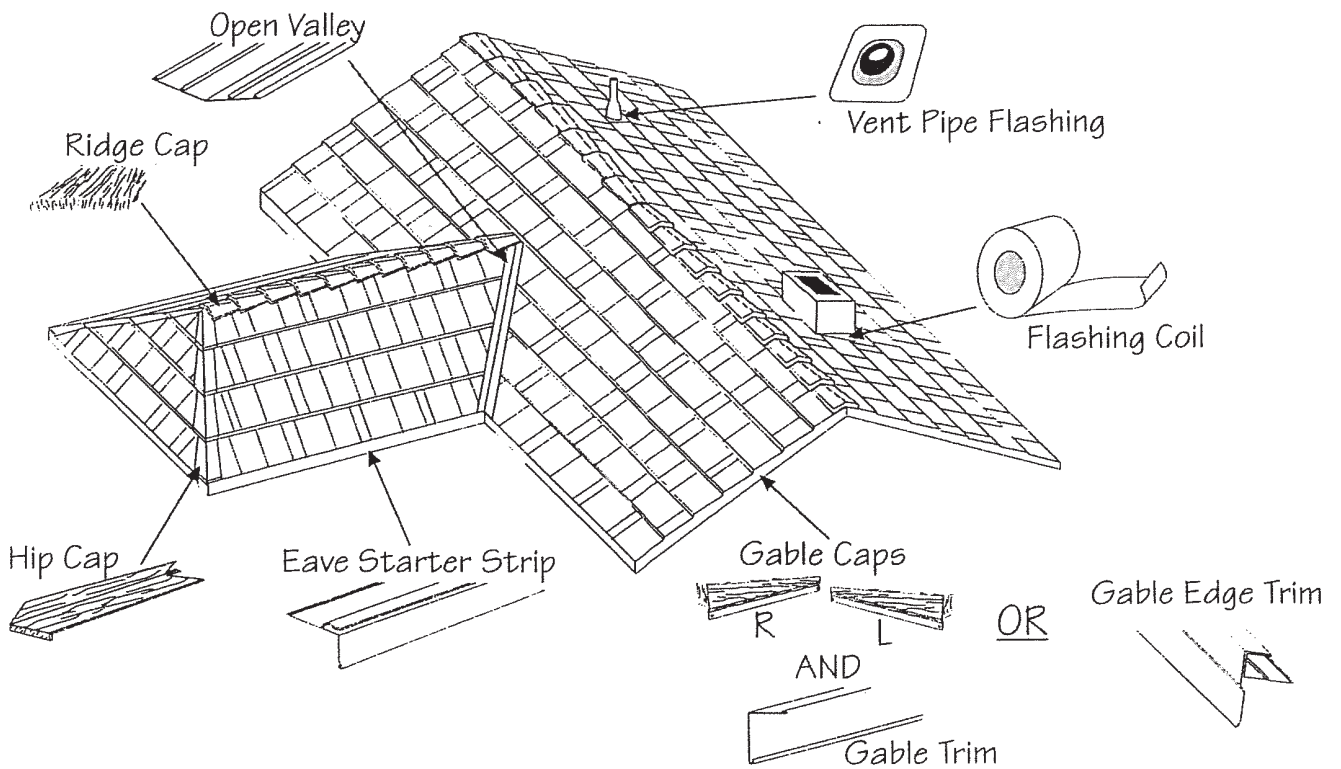
General Installation Instructions for the Dairy Queen Shingles

18", lap successive courses 6". Nail 12" on centers using Plastic-Top Felt Nails.

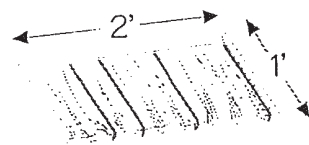
As an option for areas with heavy ice and snow potential, use ice & water shield or similar underlayment above overhanging eaves plus two feet past exterior wall line.

Installation

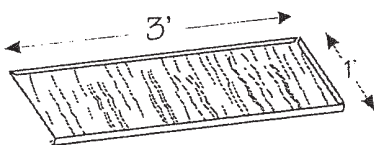
Begin shingle installation at lower left corner. Slide bottom lock of shingle into Eave Starter and slide to gable according to the type of gable treatment used. To fully engage shingle interlocks, tap with hammer handle until shingle locks securely on bottom and left. Install nailing clips along the top lock of the shingles, 12" on center (i.e. 3 per panel). Additional nailing clips can be used in areas of potential high winds. Continue installing shingles left to right, eave to ridge by engaging the bottom and left locks to surrounding shingles and/or eave starter strips. For maximum wind resistance and to avoid a "pattern" appearance on the roof, successive courses are staggered by starting with $\frac{1}{2}$, $\frac{3}{4}$, and $\frac{1}{4}$ shingles. The fifth course from the eave should start with a full shingle, and then the pattern repeats. Cut shingles and remove the left portions.



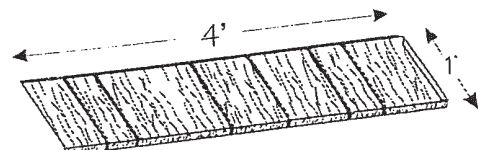
This abridged manual provides instructions for these metal shake systems:



SH-401 RUSTIC SHINGLE



701 - REGAL CREST SHINGLE



801 - HERITAGE SHAKE

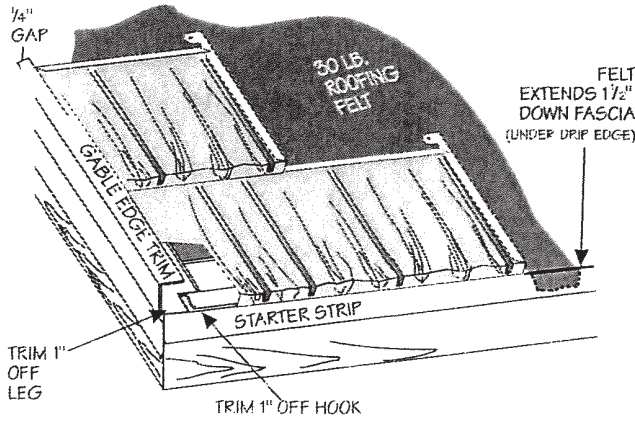


Illustration 1

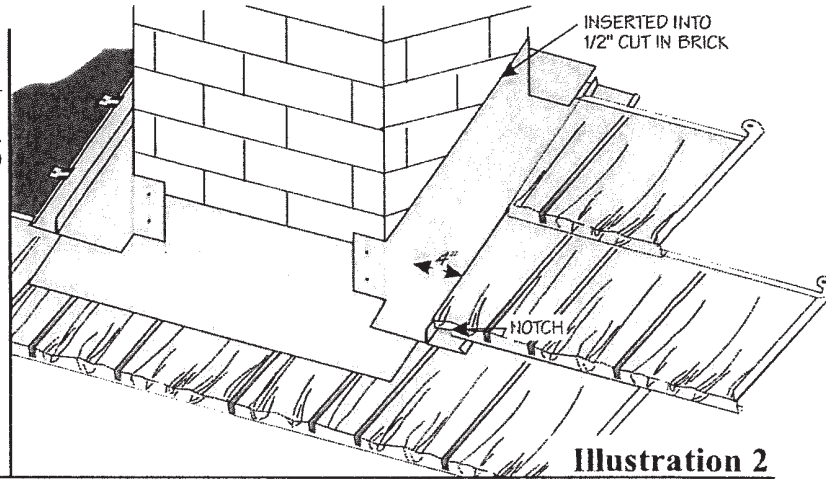


Illustration 2

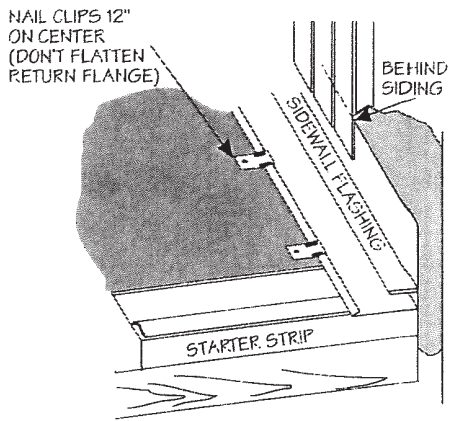


Illustration 3

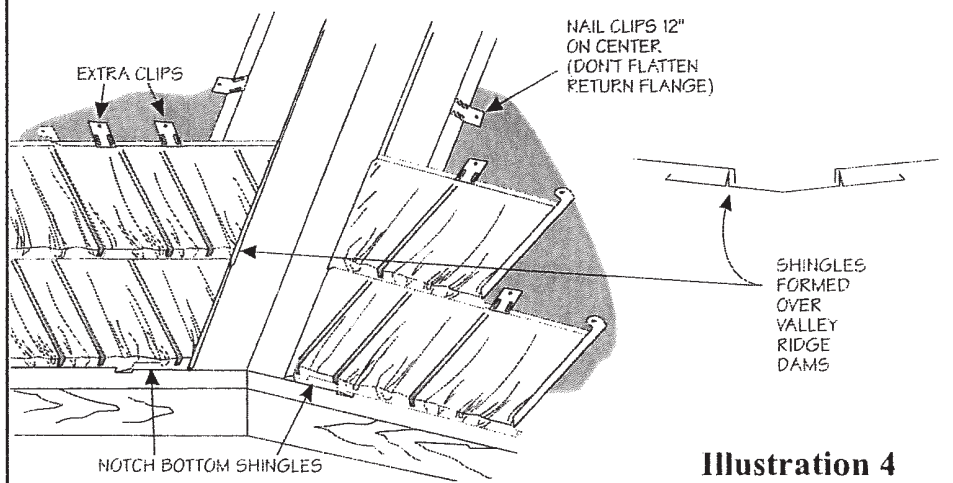


Illustration 4

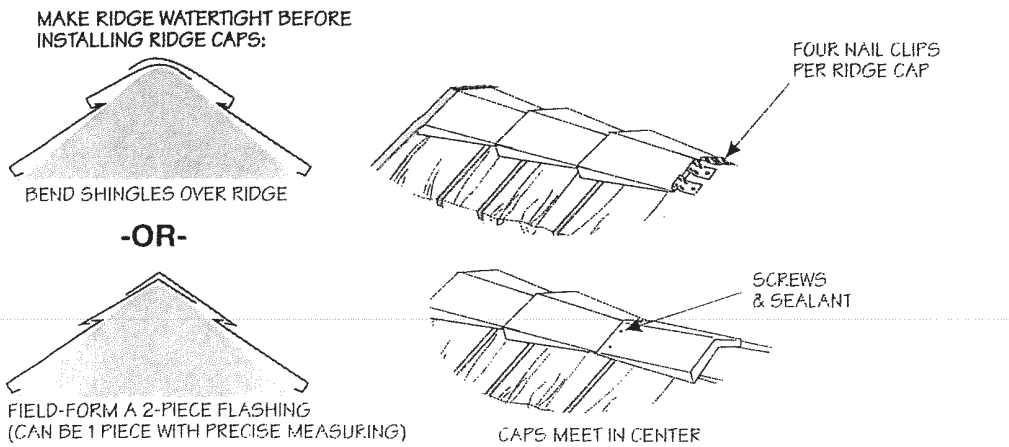


Illustration 5

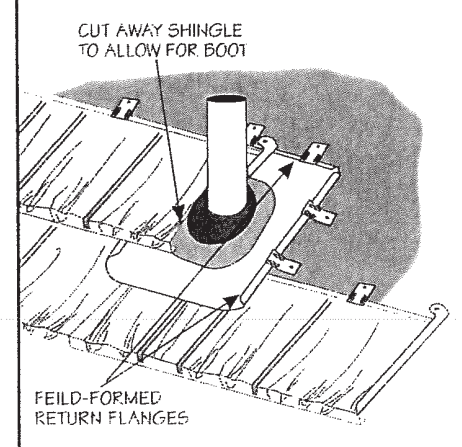


Illustration 6

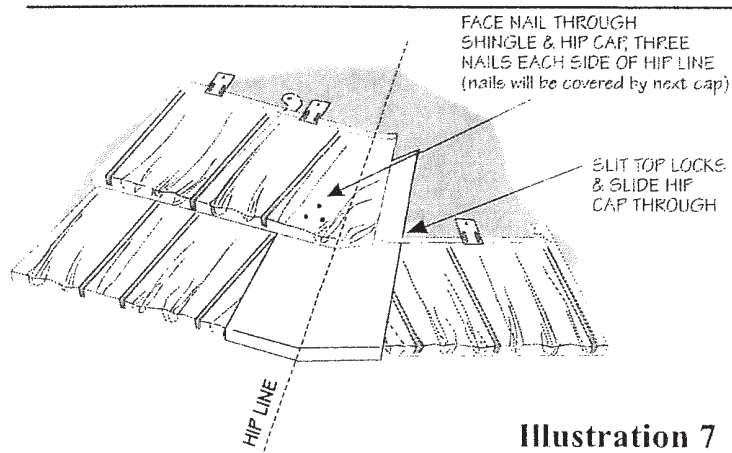


Illustration 7

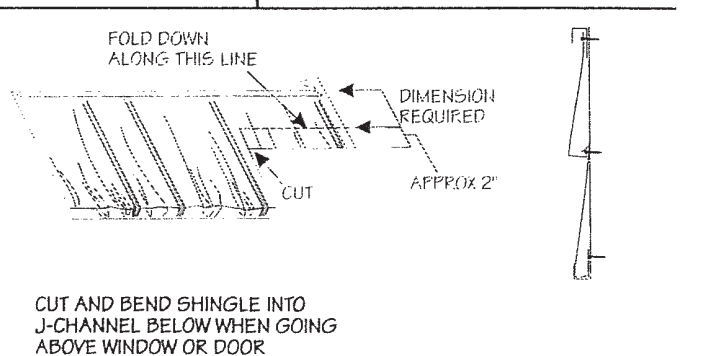


Illustration 8